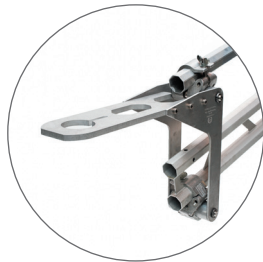
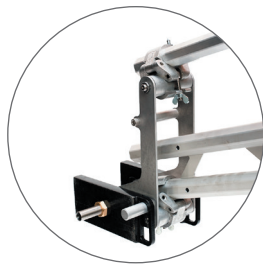




**KEY GRIP SYSTEMS**  
Development

# Octojib



Octojib is a basic, **lightweight & modular jib**, able to support light camera or Gimbal packages. The main parts are composed with octogrip bilite, pipe and couplers, already used by grip crew for several years as tracks beams, wall-spreader, rigging tools, sliders.

**Basic:** Octojib front & back parts are assembled to the OctoGrip bilite & pipe using Octogrip 90° couplers.

**Modular:** The Length of the Octojib depend on the bilite lenght used for the assembling.  
1 m/1,2 m/1,5 m/2 m/3 m/4 m (max)

**Lightweight:** The Octojib can be rigged on heavy light stands or common dollies.

#### Tech Specs:

Max. lift capacity (head and camera ):	25 kg
Max. counterweight capacity:	42 kg
length aviable:	1 m/1,2 m/1,5 m/2 m/3 m/4 m

#### TRACKS & CAMERA SUPPORTS

Design, manufacture and rental of grip equipment

#### Key Grip Systems Development

16F Boulevard Général Wahis  
1030 Brussels - Belgium  
Phone: +32(0)2 706 09 09  
Fax: +32(0)2 706 09 00  
info@kgs.be

[www.kgsd.eu](http://www.kgsd.eu)

[www.kgs.be](http://www.kgs.be)

# Octojib – Specifications & Restrictions

## Octojib - 2 m

Octojib allowed dimension Arm:  
1 m / 1,20 m / 1,50 m / 2 m / 3 m / 4 m

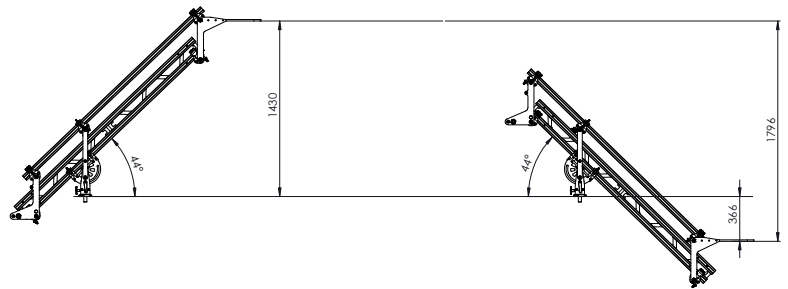
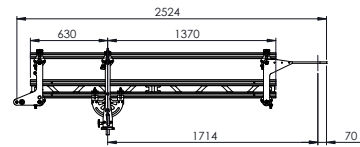
Maximum lift capacity: 25 kg

Maximum conterweight capacity: 42 kg

Maximum Front arm length:  
(central pivot / front of the Bilite) 1370 mm

Minimum Back arm length:  
(central pivot / back of the Bilite) 630 mm

Weight (exluding conterweight & support): 26 kg



## Octojib - 3 m

Octojib allowed dimension Arm:  
1 m / 1,20 m / 1,50 m / 2 m / 3 m / 4 m

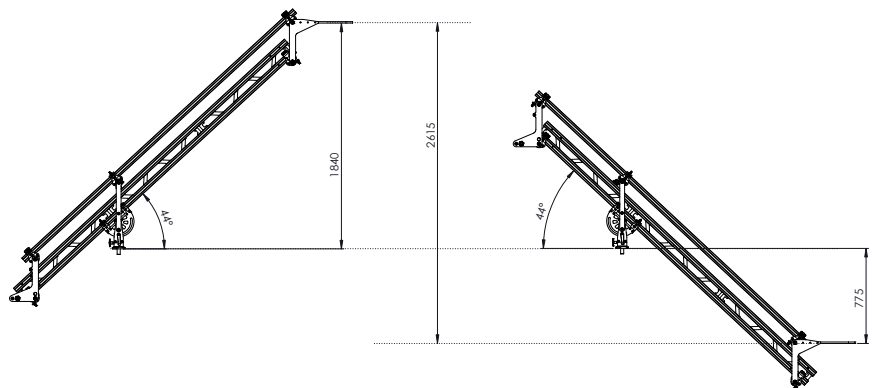
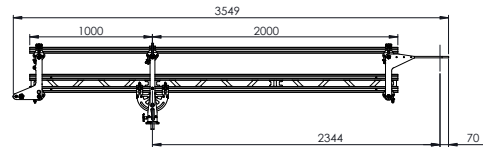
Maximum lift capacity: 25 kg

Maximum conterweight capacity: 42 kg

Maximum Front arm length:  
(central pivot / front of the Bilite) 2000 mm

Minimum Back arm length:  
(central pivot / back of the Bilite) 1000 mm

Weight (exluding conterweight & support): 28,5 kg



## Octojib - 4 m

Octojib allowed dimension Arm:  
1 m / 1,20 m / 1,50 m / 2 m / 3 m / 4 m

Maximum lift capacity: 25 kg

Maximum conterweight capacity: 42 kg

Maximum Front arm length:  
(central pivot / front of the Bilite) 2570 mm

Minimum Back arm length:  
(central pivot / back of the Bilite) 1430 mm

Weight (exluding conterweight & support): 31,5 kg

